

Penrose

Design: Isao Hosoe + Lucia Fontana & Masaya Hashimoto



Description

Irregular shaped glass desk with oblique welding on the side. Available in transparent or extra clear glass. Made in Italy.

Finishes & Materials

Structure: Transparent glass or extra clear glass.

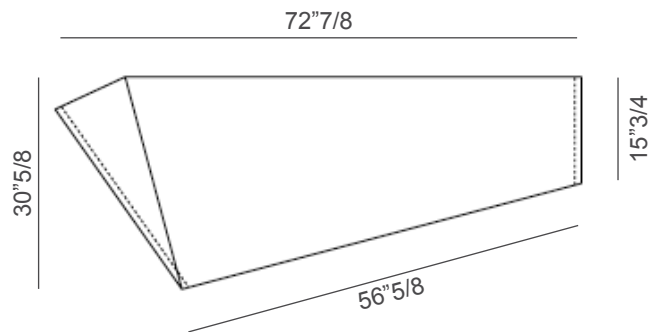
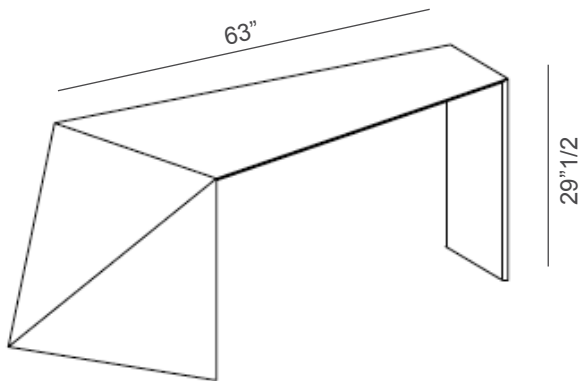


* For more specifications, please refer to the "Finishes & Materials" PDF

Penrose

Dimensions

72"7/8W x 30"5/8D x 29"1/2H



* For more specifications, please refer to the "Finishes & Materials" PDF