

## Emma Cross

*Design: Monica Armani*



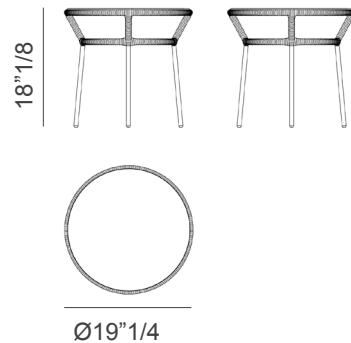
### Description

Side table with structure made in powder coated aluminum woven with synthetic fiber rope.

Legs in powder coated aluminum available in a wide range of colors. Top in HPL or ceramic (weatherproof and UV light resistant). Offered in two different sizes. Made in Italy.

### Dimensions

Ø19"1/4 x 18"1/8H



### Finishes & Materials

**Top:** HPL / Brushed hammered ceramic.

**Structure:** Powder coated aluminum woven with synthetic fiber rope.

**Legs:** Powder coated aluminum woven with synthetic fiber rope.

\* For more specifications, please refer to the "Finishes & Materials" PDF