

## Emma Cross

*Design: Monica Armani*



### *Description*

Bar stool and counter stool with structure, legs and feet in powder coated aluminum. The backrest frame is covered with synthetic fiber rope and the structure is woven with acrylic fabric band available in 5 different colors.

Removable seat and optional back cushion upholstered in removable fabric padded with Dryfeel rubbers for outdoor use. Made in Italy.

### *Finishes & Materials*

**Cushions cover:** C.O.M. Fabric / Fabric (Cat. B/C/D/E).

**Backrest:** Powder coated aluminum woven with synthetic fiber rope.

**Structure:** Powder coated aluminum woven with acrylic fabric band.

**Legs & Feet:** Powder coated aluminum woven with synthetic fiber rope.

\* For more specifications, please refer to the "Finishes & Materials" PDF

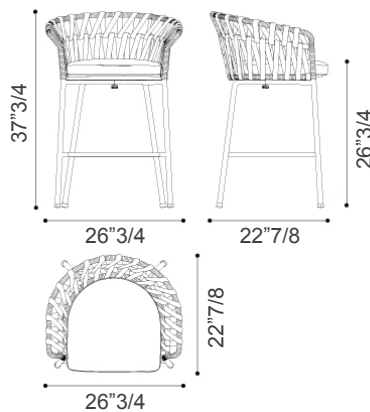
## Emma Cross

### Dimensions

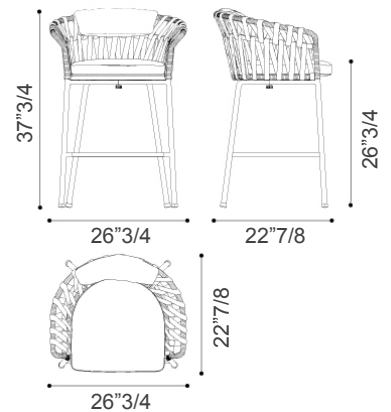
**Counter stool:**  
26"3/4W x 22"7/8D x 37"3/4H

**Seat height:** 26"3/4  
Optional back cushion.

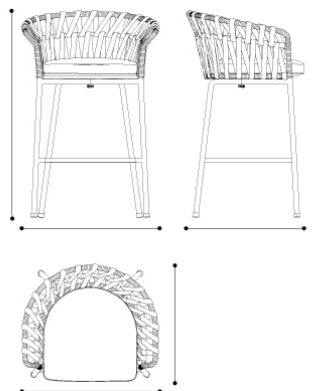
**Counter stool**  
Without back cushion



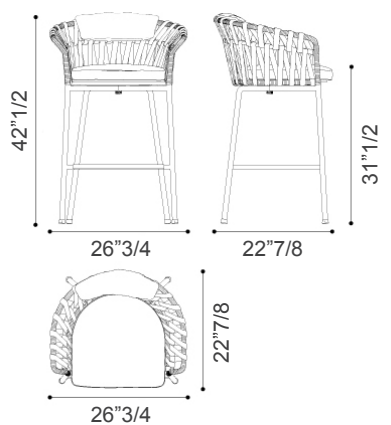
**With back cushion**



**Bar stool**  
Without back cushion



**With back cushion**



\* For more specifications, please refer to the "Finishes & Materials" PDF