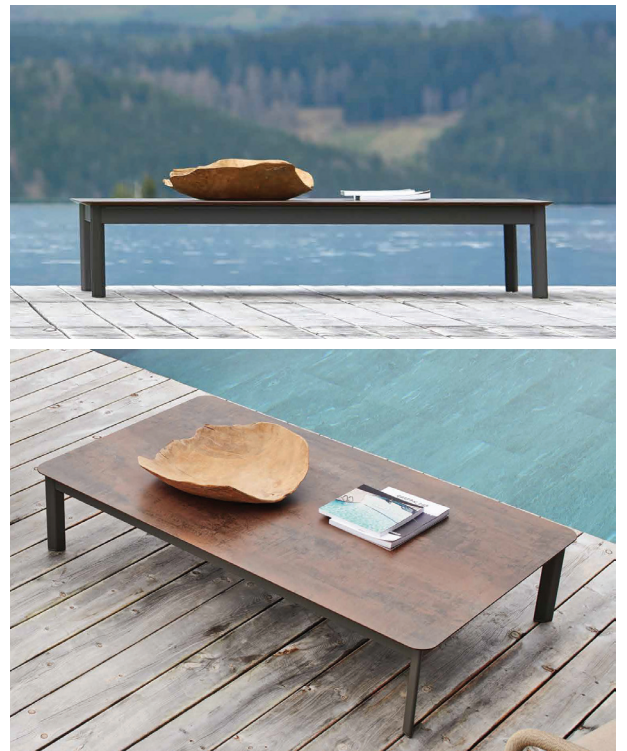


System

Design: Daniele Lo Scalzo Moscheri



Description

Coffee table with structure in powder coated aluminum, resistant to weather and UV light.
Top available in Hpl or Ceramic.
Made in Italy.

Finishes and materials

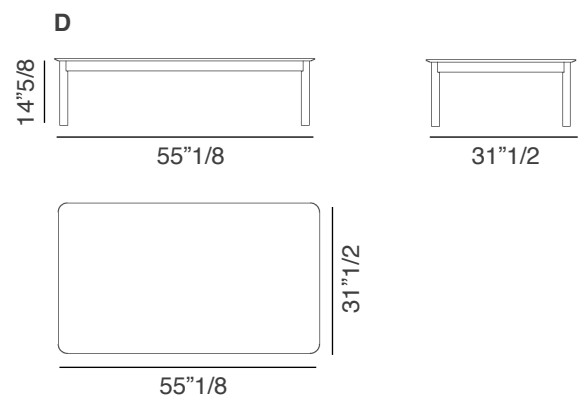
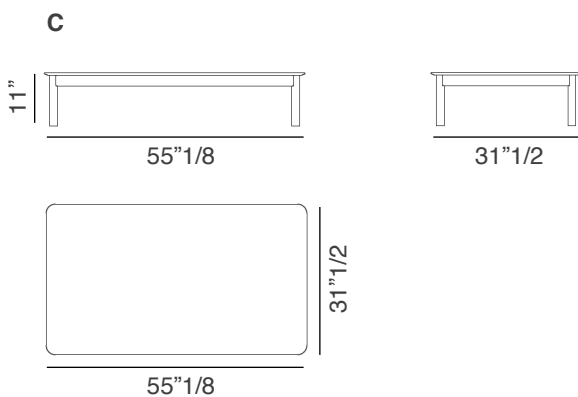
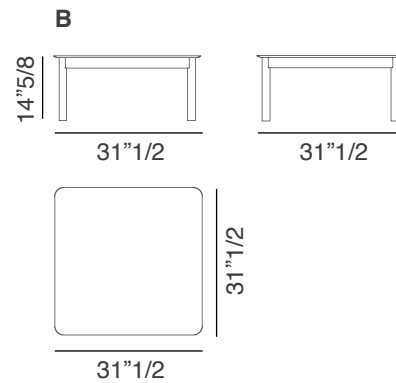
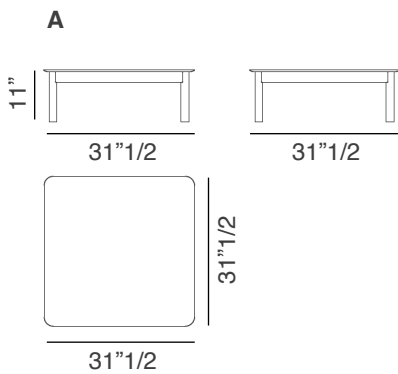
Structure: White, Silk Grey, Grey, Dark Brown or Black aluminum.
Top: Hpl or Bush-hammered Ceramic.

System

Dimensions

- A) 31"1/2W x 31"1/2D x 11"H
- B) 31"1/2W x 31"1/2D x 14"5/8H
- C) 55"1/8W x 31"1/2D x 11"H
- D) 55"1/8W x 31"1/2D x 14"5/8H

Top thickness: 1/2"



(For more specifications, please refer to "Finishes & Materials")