

## Hemingway



### *Description*

Home bar composed by wall unit and counter. Wall unit equipped with on sight tempered glass shelves and LED lights. Working space with trapezoidal decorative insert, tempered lacquered glass top and double sockets. Lower part composed by two compartments with doors and steel handles. Recessed wine cellar for 29 bottles with double zone temperature (46°F-64°F). Frontal counter with tempered lacquered glass top. Inside space with on sight shelves and working space. Front with decorative insert (matching the one on the wall unit). Elements completely matt lacquered, with some parts lacquered at choice matt/Soft Touch/glossy. Available with or without the frontal counter unit. Made in Italy.

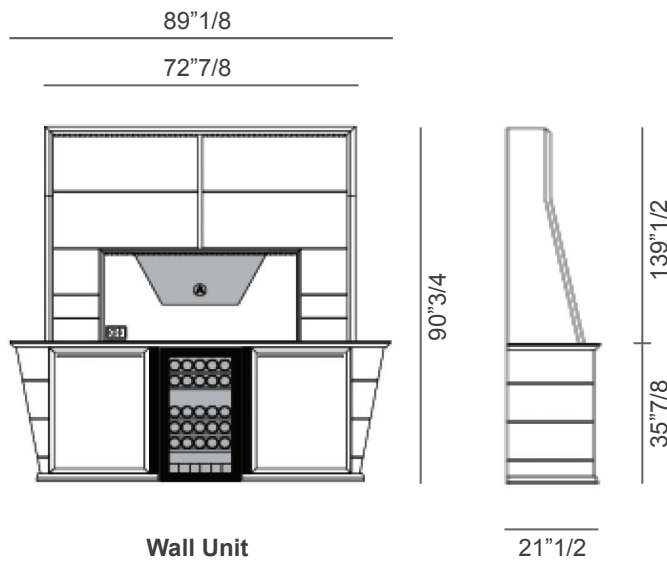
(For more specifications, please refer to "Finishes & Materials")

## Hemingway

### Dimensions

#### Wall Unit:

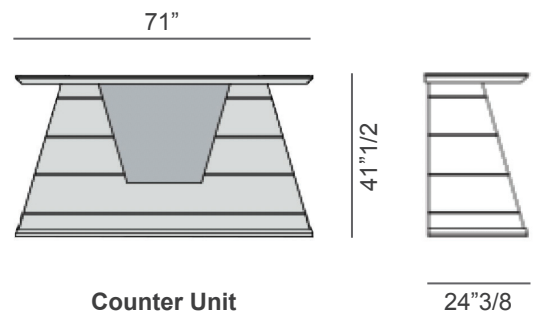
89"1/8W x 21"1/2D x 90"3/4H



Wall Unit

#### Counter Unit:

71"W x 24"3/8D x 41"1/2H



Counter Unit

### Finishes and materials

#### Wall Unit:

**Shelves & Working space top:** Lacquered tempered glass.

**Light source:** LED.

**Handles:** Steel with polished chrome or gold finish.

**Structure:** Matt lacquered with some parts in Matt, Soft Touch or Glossy.

#### Counter Unit:

**Top:** Tempered lacquered glass.

**Structure:** Matt lacquered with some parts in Matt, Soft Touch or Glossy.



(For more specifications, please refer to "Finishes & Materials")